

Cuts & Folds

of printed fabric labels

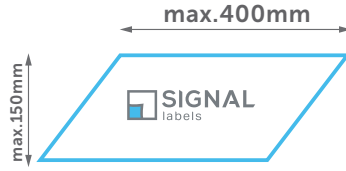
We can deliver your fabric label on rolls or already cut and folded in a shape of your choice. Below you can see all the cut and fold options, together with the maximum sizes we offer.

«Please note that the cutting and folding parameters may vary between different materials.»

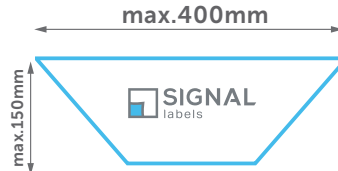
STRAIGHT CUT



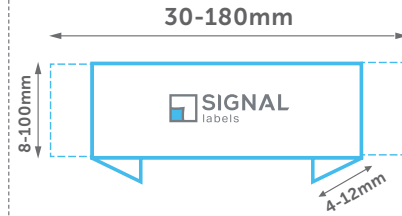
DIAGONAL CUT



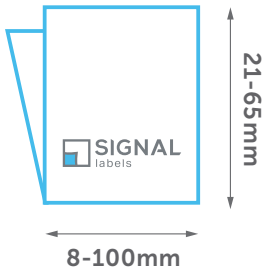
TRAPEZOID CUT



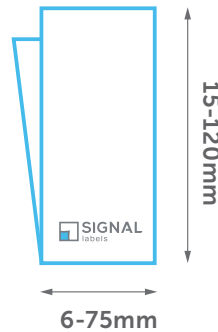
END FOLD



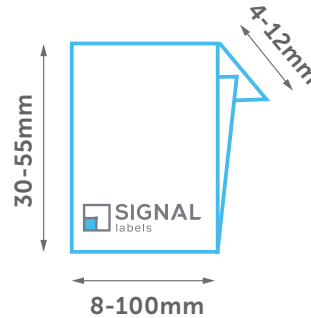
CENTER FOLD



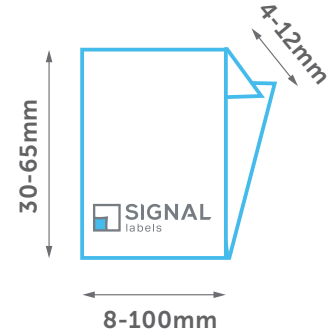
LONG CENTER FOLD



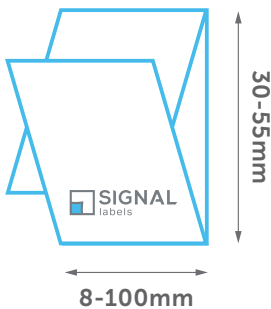
MANHATTAN FOLD CLOSED



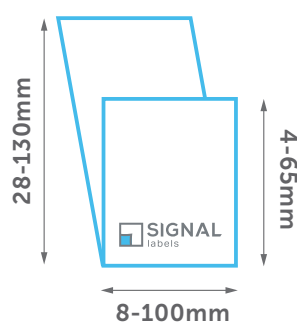
MANHATTAN FOLD OPEN



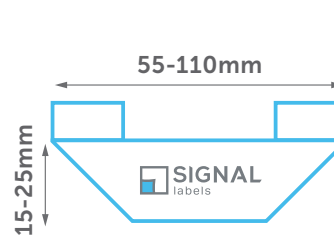
LEAFLET FOLD



BOOK FOLD



MITRE FOLD



TAG FOLD

